

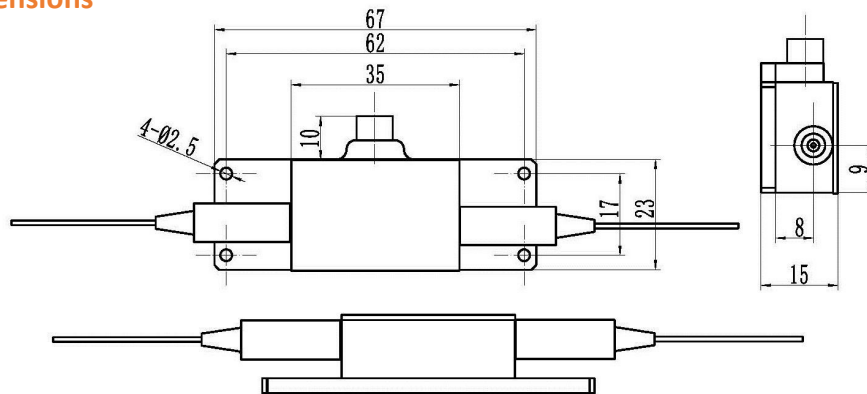
## Fiber Coupled Acousto Optic Modulator 1030nm 200MHz

Model Number: AOM-1030-200M-10-C1-PM980-0.5-1-0.2-N

### ◆ Specification

| Parameter                              | Unit         | Value   |
|--|--------------|---|
| Interaction material                   |              | Tellurium dioxide                                 |
| Signal Wavelength ( $\lambda_c$ )      | nm           | 1030  |
| Operating Wavelength Range             | nm           | $\pm 10$  |
| Frequency                              | Mhz          | 200   |
| Max. Insertion Loss                    | dB           | 2.5   |
| Min. Polarization Extinction Ratio     | dB           | 20  |
| Max. Rise-Time/Fall-Time(10%-90%)      | ns           | 10  |
| Min. Extinction Ratio(Turn On/Off)     | dB           | 45  |
| Max. Voltage Standing Wave Ratio(VSWR) | -            | 1.5:1   |
| Frequency Shift                        | Mhz          | 200(UpShift)                                      |
| Max. Average Optical Power             | W            | 1   |
| Peak Power                             | kW           | 5 or 10   |
| Input Impedance                        | $\Omega$     | 50  |
| Max. RF Power                          | W            | 2.5   |
| Fiber Type                             | -            | PM980 bare fiber with 0.2m 900 $\mu$ m Loose Tube |
| Pigtail Fiber Length                   | M            | 0.5 $\pm$ 0.1                                     |
| Operating Temperature                  | $^{\circ}$ C | -10 to +65  |
| Storage Temperature                    | $^{\circ}$ C | -20 to +70  |

### ◆ Package Dimensions



### ◆ Ordering Information

AOM-①-②-③-④-⑤-⑥-⑦-⑧-⑨

| ①Center Wavelength | ②Frequency | ③Handling Average Optical Power | ④Package Dimension | ⑤Fiber Type   | ⑥Fiber Length | ⑦Fiber Jacket       | ⑧ Jacket Length | ⑨Connector |
|--------------------|------------|---------------------------------|--------------------|---------------|---------------|---------------------|-----------------|------------|
| 1064-1064nm        | 80-80M     | 05-500mW                        | C1-67*23*15mm      | PM980-PM980   | 1-1M          | 0-Bare Fiber        | 1-1M            | FU-FC/PC   |
| 1550-1550nm        | 120-120M   | 10-1W                           | S-Specify          | PM1550-PM1550 | S-Specify     | 1-900 $\mu$ m Loose | S-Specify       | FA-FC/APC  |
| S-Specify          | 200-200M   | 20-2W                           |                    | S-Specify     |               | 2-2mm Cable         |                 | S-Specify  |