

## Fiber Coupled Acousto Optic Modulator 1064nm 200MHz

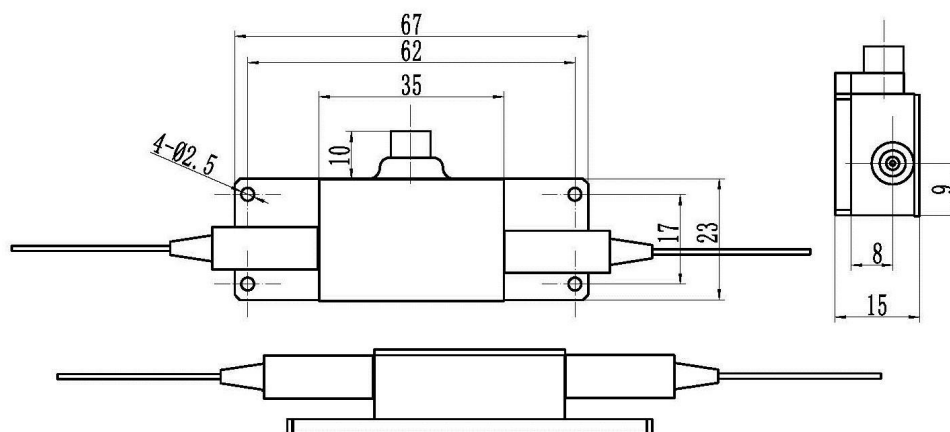
Mode: AOM-1064-200M-05-C1-PM980-1-1-1-FA

### ◆ Specification

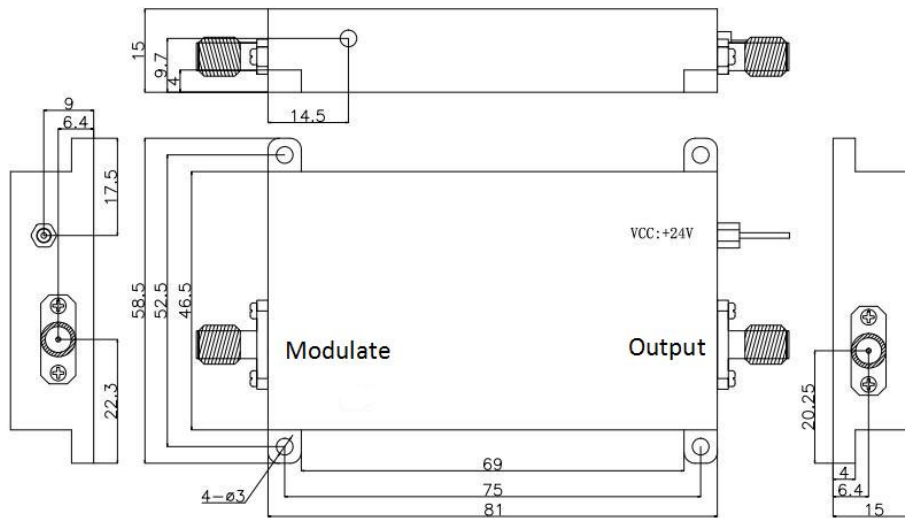
Parameter	Unit	Value
Interaction material		Tellurium dioxide
Signal Wavelength ( $\lambda_c$ )	nm	1064
Operating Wavelength Range	nm	$\pm 30$
Frequency	Mhz	200
Max. Insertion Loss	dB	2.5
Min. Polarization Extinction Ratio	dB	20
Max. Rise-Time/Fall-Time(10%-90%)	ns	10
Min. Extinction Ratio(Turn On/Off)	dB	45
Max. Voltage Standing Wave Ratio(VSWR)		1.5:1
Frequency Shift	Mhz	200(UpShift)
Max. Average Optical Power	mW	500(Other Power Available On Request)
Peak Power	kW	1
Input impedance	$\Omega$	50
Max. RF Power	W	2.5
Fiber Type		PM980
Operating Temperature	$^{\circ}\text{C}$	-10 to +65
Storage Temperature	$^{\circ}\text{C}$	-20 to +70

\*IL is 0.2-0.3dB higher, RL is 5 dB lower, and ER is 2 dB lower for each connector added. Connector key is aligned to slow axis.

### ◆ AOM Package Dimensions



◆ RF Driver Package Dimensions



◆ Ordering Information

AOM-①-②-③-④-⑤-⑥-⑦-⑧-⑨

1-Signal Wavelength	2-Frequency	3-Handling Power	4-Package Dimension
1064-1064nm	200-200Mhz	05-500mW	C1-67*23*15
		10-1W	
		50-5W	

5-Fiber Type	6-Fiber Length	7-Fiber Jacket	8-Jacket Length	9-Connector
PM980-PM980	1-1M	0-Bare Fiber	1-1M	FU-FC/PC
	1.5-1.5M	1-900 μ m Loose Tube	S-Specify	FA-FC/APC
				S-specify