

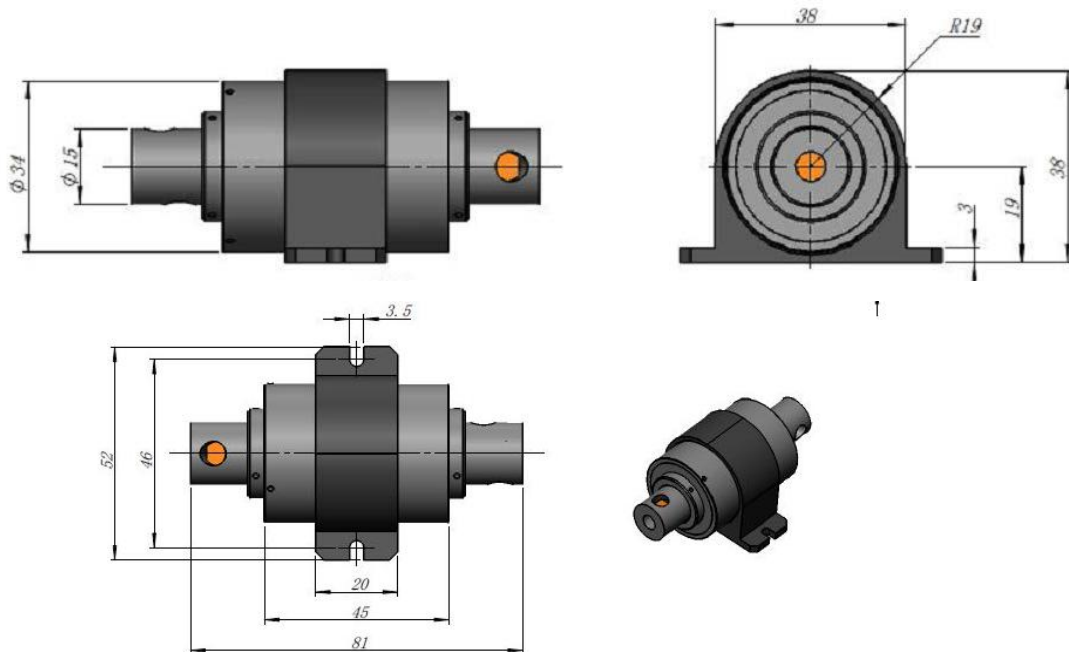
## High Power Free Space Faraday Isolator

Mode: HIO-2.8-1030-HP-81x52x38

### ◆ Specification:

| Parameters                      | Unit              | Values    |
|---------------------------------|-------------------|-----------|
| Center Wavelength( $\lambda$ c) | nm                | 1030      |
| Operating Wavelength Range      | nm                | $\pm 10$  |
| Transmission@ $\lambda$ c       | %                 | $\geq 93$ |
| M <sup>2</sup> Degradation      | %                 | $\leq 10$ |
| Isolation@ $\lambda$ c          | dB                | $\geq 30$ |
| Clear Aperture                  | mm                | 2.8       |
| Optical Average Power           | W                 | 10        |
| Damage Threshold                | J/cm <sup>2</sup> | 10        |
| Operating Temperature           | °C                | 10 to 30  |
| Storage Temperature             | °C                | -20 to 70 |

### ◆ Package Dimension:



### ◆ Ordering Information

HIO-①-②-③-④

| ① Clear Aperture | ② Center Wavelength | ③ Handling Power | ④ Package Dimension |
|------------------|---------------------|------------------|---------------------|
| 2.8-2.8mm        | 1030-1030nm         | HP-High Power    | 81x52x38            |
| 5-5mm            | 1064-1064nm         | LP-Low Power     | 113x54x54           |
| S-Specify        | 1550-1550nm         |                  | S-Specify           |