

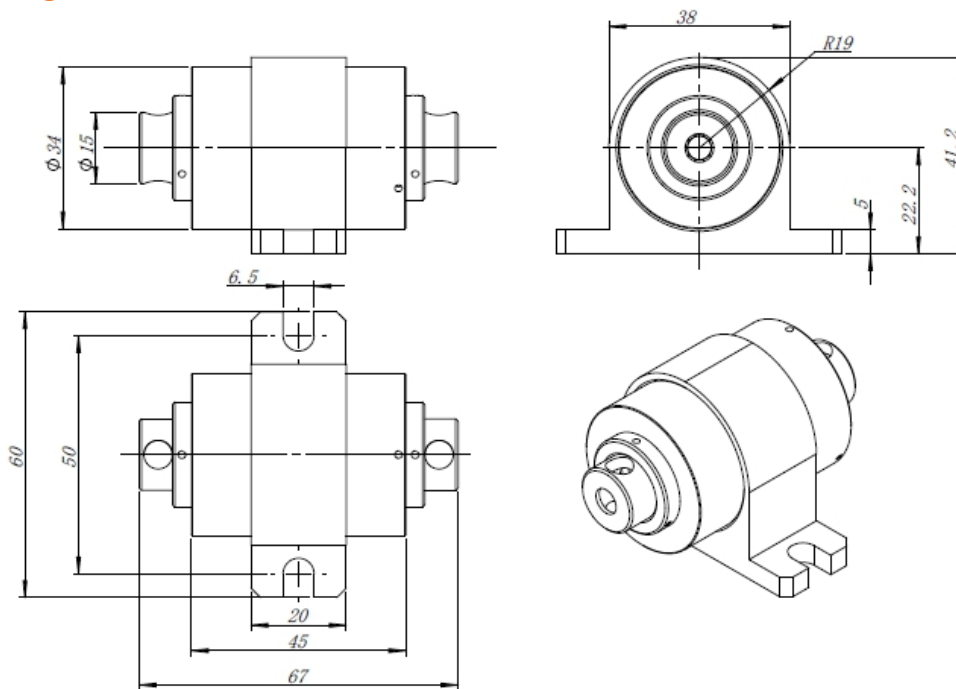
920nm ϕ 5 Free Space Optical Isolator

Mode: HIO-5-920-HP-67X41X60-XA

◆ Specification:

Parameters	Unit	Values
Center Wavelength(λ C)	nm	920
Operating Wavelength Range	nm	± 10
Transmission@ λ c	%	≥ 93
M ² Degradation	%	≤ 10
Isolation@ λ c	dB	≥ 35
Clear Aperture	mm	4.8 Or Specify
Optical Average Power	W	30
Damage Threshold	J/cm ²	10
Operating Temperature	°C	10 to 30
Storage Temperature	°C	-20 to 70

◆ Package Dimension:



◆ Ordering Information

HIO-①-②-③-④

① Clear Aperture	② Center Wavelength	③ Handling Power	④ Package Dimension
2.8-2.8mm	1030-1030nm	HP-High Power	81x52x38
5-5mm	1064-1064nm	LP-Low Power	113x54x54
S-Specify	1550-1550nm		S-Specify