

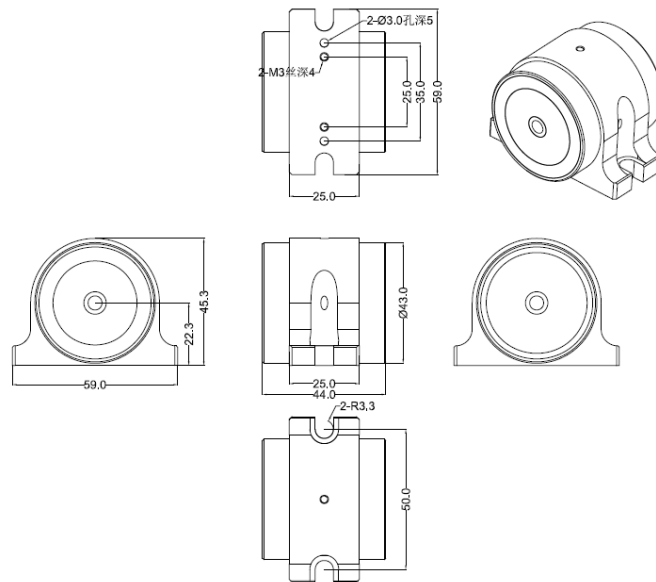
1064nm High Power Free Space Faraday Rotator

Mode: HFR-5-1064-HP-59X45X44-SD

◆ Specification:

Parameters	Unit	Values
Center Wavelength (λ_c)	nm	1064
Operating Wavelength Range	nm	± 10
Transmission @ λ_c 23℃	%	≥ 98
Rotation Angle @ λ_c 23℃	°	45 ± 1
Clear Aperture	mm	5 or Specify
Optical Average Power	W	50
Damage Threshold	J/cm ²	10
Operating Temperature	℃	10 to 30
Storage Temperature	℃	0 to 60

◆ Package Dimension:



◆ Ordering Information

HFR-①-②-③-④

① Clear Aperture	② Center Wavelength	③ Handling Power	④ Package Dimension
2.5-2.5mm	780-780nm	HP-High Power	59x45x44mm
3-3mm	1030-1030nm	LP-Low Power	57x40x40mm
5-5mm	1064-1064nm		S-Specify
S-Specify	1550-1550nm		