

## Polarization Maintaining 1064nm Fiber Isolator

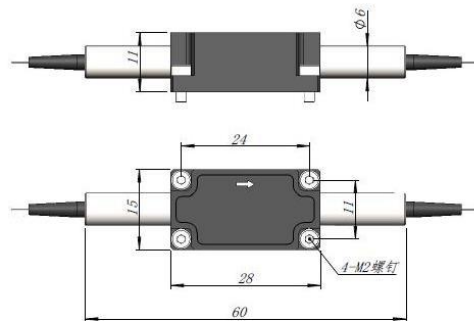
Mode: HPMI-1064-60X15X11-PM980-1-0-N-F

### ◆ Specification

Parameter	Unit	Values
Signal Wavelength ( $\lambda_c$ )	nm	1064
Operating Wavelength Range	nm	$\pm 20$
Min Isolation@23°C	dB	$\geq 30$
Min Extinction Ratio	dB	$\geq 20$
Typ. Insertion Loss@23°C	dB	$\leq 1.8$
Max. Insertion Loss@23°C	dB	$\leq 2.0$
Min. Return Loss	dB	55/50
Max. Average Optical Power	W	2
Peak Power	kW	10
Max. Tensile Load	N	5
Fiber Type		PM980
Operating Temperature	°C	-5 to +50
Storage Temperature	°C	-2 to +75

\*IL is 0.3 dB higher, RL is 5 dB lower, and ER is 2 dB lower for each connector added. Connector key is aligned to slow axis.

### ◆ Package Dimensions



### ◆ Ordering Information

HPMI-①-②-③-④-⑤-⑥-⑦

1-Signal Wavelength	2-Handling Power	3-Package Dimension	4-Fiber Type
980-980nm	2-2W	C1-C1 Package	PM980-PM980
1064-1064nm	5-5W	C2-C2 Package	
	10-10W		

5-Fiber Length	6-Fiber Jacket	7-Connector Type	8-Power Type
1-1M	0-Bare Fiber	N-None	C-Continuous
	1-900 $\mu$ m Loose Tube	FU-FC/UPC	P-Pulse
		FA-FC/APC	

Made By: Li Guang

Checked By: Jimmy Wang

Approved by: Xiao Hai Bo