

1053nm High Power Free Space Faraday Rotator

◆ Application

- Multi-level laser amplifier
- Optical parametric oscillator
- Ring laser
- Erbium-doped fiber amplifier
- Seed injecting laser
- Optical switch
- Optical modulator

◆ Feature

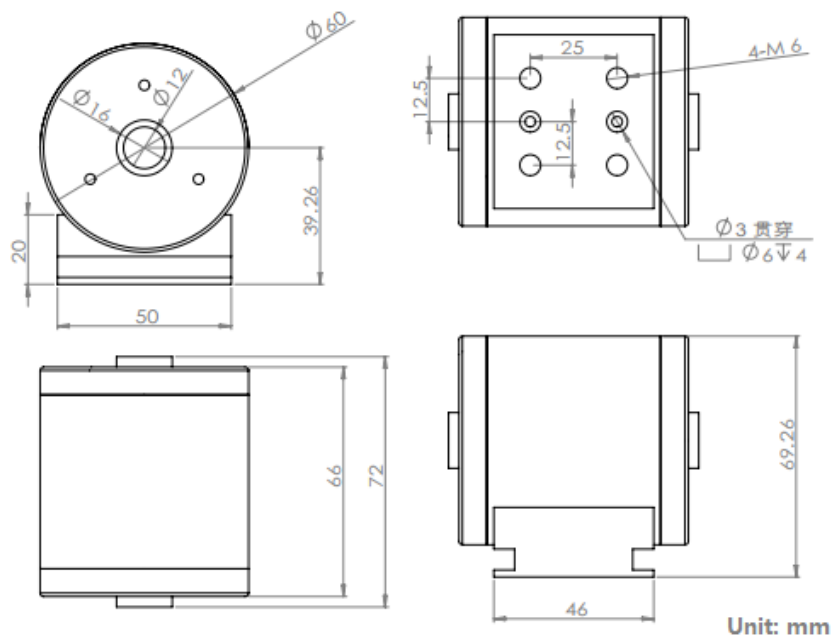
- Wavelength range 1010-1090nm
- Glan laser prisms with double escape windows
- High power application

Part No.: HFR-8-1053-HP-72x70x60-SD

◆ Specification:

Parameters	Unit	Values
Center Wavelength(λ_c)	nm	1053
Operating Wavelength Range	nm	± 10
Magneto-optics material	-	TGG
Rotation Angle @ λ_c , 23°C	°	45 ± 2
Transmission @ λ_c	%	≥ 98
Clear Aperture	mm	$\phi 8$ Or Specify (>90%)
Damage Threshold	J/cm ²	10

◆ Package Dimension:



*Remark: The above dimension is for $\phi 8$ mm Faraday Rotator.