

## Fiber Coupled Acousto Optic Modulator 1550nm 100MHz

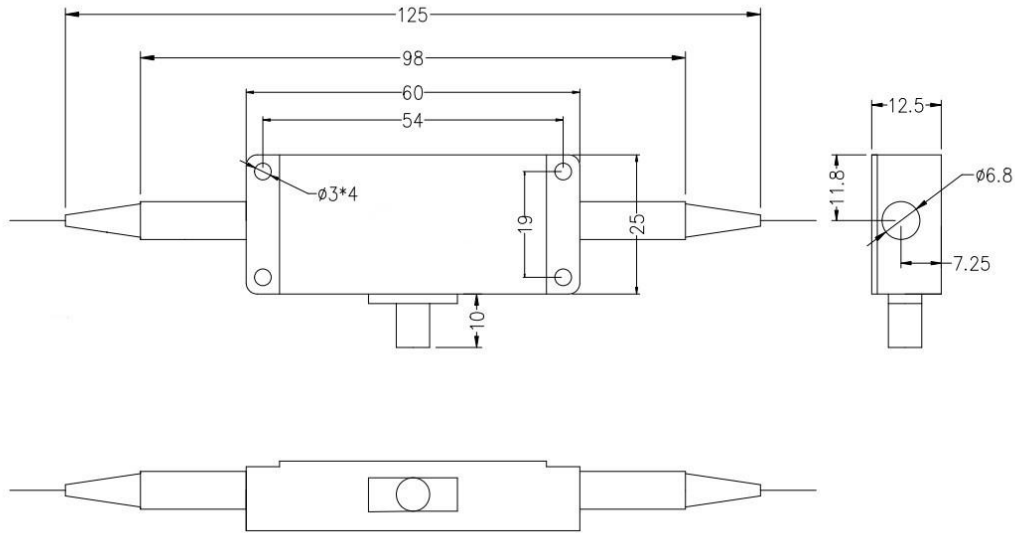
Part No.: AOM-1550-100M-05-A-C1-PM1550-1-1-1-FA

### ◆ Specification

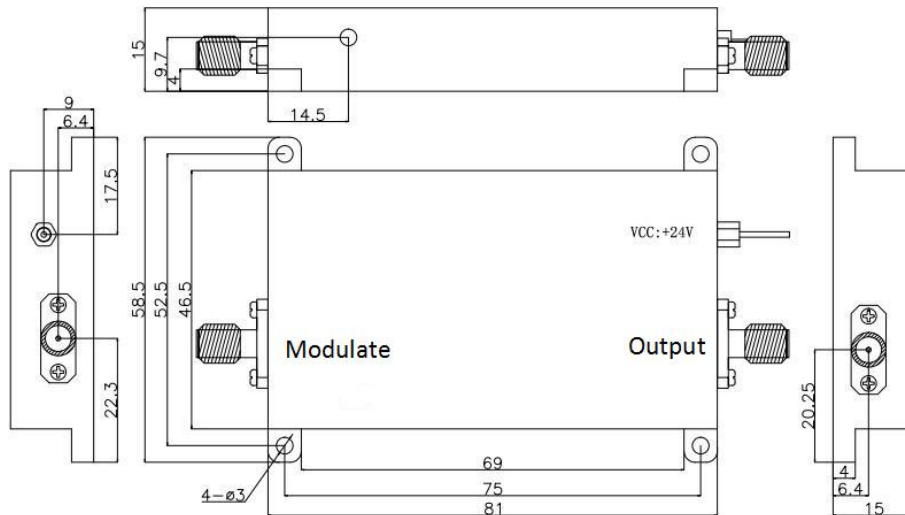
Parameter	Unit	Min.	Max.	Typical
Interaction Material		-	-	Tellurium dioxide
Signal Wavelength ( $\lambda_c$ )	nm	1520	1580	1550
Operating Wavelength Range	nm	-	-	$\pm 30$
Frequency	MHz	-	-	100
Ultrasonic Velocity	m/s	-	-	4200
Insertion Loss	dB	-	2.5	-
Extinction Ratio (Turn On / Off)	dB	50	-	-
Polarization Extinction Ratio	dB	18	-	-
Rise-Time/Fall-Time	ns	-	30	-
Return Loss	dB	40	-	-
Voltage Standing Wave Ratio (VSWR)	/	-	1.2:1	-
Average Optical Power	W	-	0.5	-
Peak Optical Power (Pulse)	kW	-	1	-
Input impedance	$\Omega$	-	-	50
RF Power	W	-	-	3.0
Device Interface		-	-	SMA
Fiber Type	/	-	-	PM1550
Fiber Length	m	-	-	1
Fiber Connector	/	-	-	FC/APC
Operating Temperature	$^{\circ}\text{C}$	-	-	-20 ~ +60
Storage Temperature	$^{\circ}\text{C}$	-	-	-30 ~ +70

\*IL is 0.2-0.3dB higher, RL is 5 dB lower, and ER is 2 dB lower for each connector added. Connector key is aligned to slow axis.

### ◆ AOM Package Dimensions



◆ RF Driver Package Dimensions



◆ Ordering Information

AOM-①-②-③-④-⑤-⑥-⑦-⑧-⑨-⑩

1-Signal Wavelength	2-Frequency	3-Handling Power	4-Function	5-Package Dimension
1064-1064nm	200-200MHz	05-500mW	S-Frequency Shifting	C1-67*23*15
1550-1550nm	100-100 MHz	10-1W	A-Amplitude Modulation	
1310-1310nm	80-80MHz	50-5W		
6-Fiber Type	7-Fiber Length	8-Fiber Jacket	9-Jacket Length	10-Connector
PM980-PM980	1-1M	0-Bare Fiber	1-1M	FU-FC/PC
PM1550-PM1550	1.5-1.5M	1-900 $\mu$ m Loose Tube	S-Specify	FA-FC/APC
SMF28e- SMF28e				S-specify