

SLED Butterfly Device

RZSLD-1310-2-BS-FA-8

Features:

- High power output
- Metal-coupled and hermetic package
- TEC inside
- Polarization-maintaining or single-mode optical fiber
- 8pin/6pin butterfly package

Applications

- Fiber-optic gyroscope
- Optic test
- Optical fiber transmission system
- Fiber-optic sensor
- OCT

Absolute Maximum Ratings

Parameter	Symbol	Min	Max	Unit	Condition
Operating Case Temperature	T_c	-45	70	°C	--
Storage Temperature	T_{stg}	-55	80	°C	--
Reverse Voltage	V_r	--	2.0	V	
Forward current	I_{op}		100 350	mA	$P_o=0.2\sim 3.0mW$ $P_o=4.0\sim 10.0mW$
Thermoelectric cooler voltage	V_{TEC}		3.0	V	
Thermoelectric cooler current	I_{TEC}		1.5	A	
Lead solder Temperature	--		260	°C	--
Lead Soldering Time	--		10	s	--

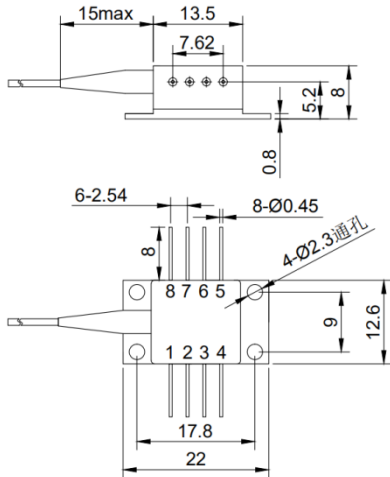
Optical/Electrical Characteristics (T=25°C, unless otherwise stated)

Parameter	Symbol	Min	Typ	Max	Unit	Test Conditions
Optical Output Power	P_o	0.2 4.0	-- --	3.0 10.0	mW	$I_{op}=100mA$ $I_{op}=300mA$
Forward Voltage	V_F	--	1.2	--	V	
Center Wavelength	λ_c	--	1310 1550	--	nm	$I_{op}=100mA$
Bandwidth FWHM	Bw	30	40	-	nm	$I_{op}=100mA$
Spectral Ripple		--	--	0.2	dB	$I_{op}=100mA$
Polarization Extinction Ratio	PER	-- 15	-- --	1.5 --	dB	Low Polarization Rate High Polarization Rate
Thermistor Resistance	RT	9.5	10.0	10.5	K Ω	T=25 °C
Thermistor B-Value		--	3950	--	K	25°C/85°C
Po Tracking Error	P_o TE	--	6%	8%		-45~75°C -55~75°C
Wavelength Tracking Error	λ_c TE	--	0.5	1	nm	-45~75°C -55~75°C

Dimensions And Pin Description

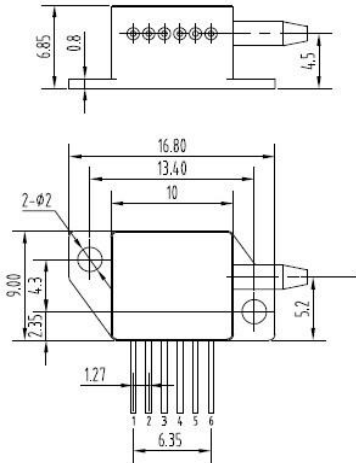
Dimensions are in millimeters. All dimensions are ± 0.1 mm unless otherwise specified.

Type: 00



Pin	Description
1	TE Cooler (+)
2	Thermistor
3	Thermistor
4	SLD (+)
5	SLD (-)
6	N/C
7	N/C
8	TE Cooler (-)

Type: 01



Pin	Description
1	TE Cooler (+)
2	Thermistor
3	Thermistor
4	SLD (+)
5	SLD (-)
6	N/C

Order information

RZSLD-1310-2-BS-FA-8

RZLD	wavelength	Output Power	encapsulation & Fiber selection	Connector	PIN
RZLD=LD	...nm	...mW	BP=BTF PM Fiber	00=NO	14
RZSLD=SLED	1064	5	BS=BTF SM Fiber	FA=FC/APC	10
RZNLD=Narrow line width	1310	50	BM=BTF MM Fiber	FU=FC/UPC	8
RZPLD= Pulsed laser	1550	200	DP=DIP PM Fiber	SA=SC/APC	
...	...	400	
		...			

Note: The laser module are ESD-sensitive devices. Please ensure that proper ESD handling procedures are followed.