

MEMS VOA Specification

MSVOA-B-C-20-025-1-00-5

Mirror MEMS optical attenuators are based on a micro-electro-mechanical system (MEMS) technology. The MEMS Optical Attenuators has fast response, small volume and high reliability, the wavelength range can cover the whole C + L band.

Application

- Channel equalization
- Gain and Slope Control in EDFA
- For ROADM power balance
- Receiver Protection/switch during transmitter turn-ons

Features

- Low insertion loss
- Low polarization dependent
- Compact size
- Excellent reliability
- GR-1221 compliance

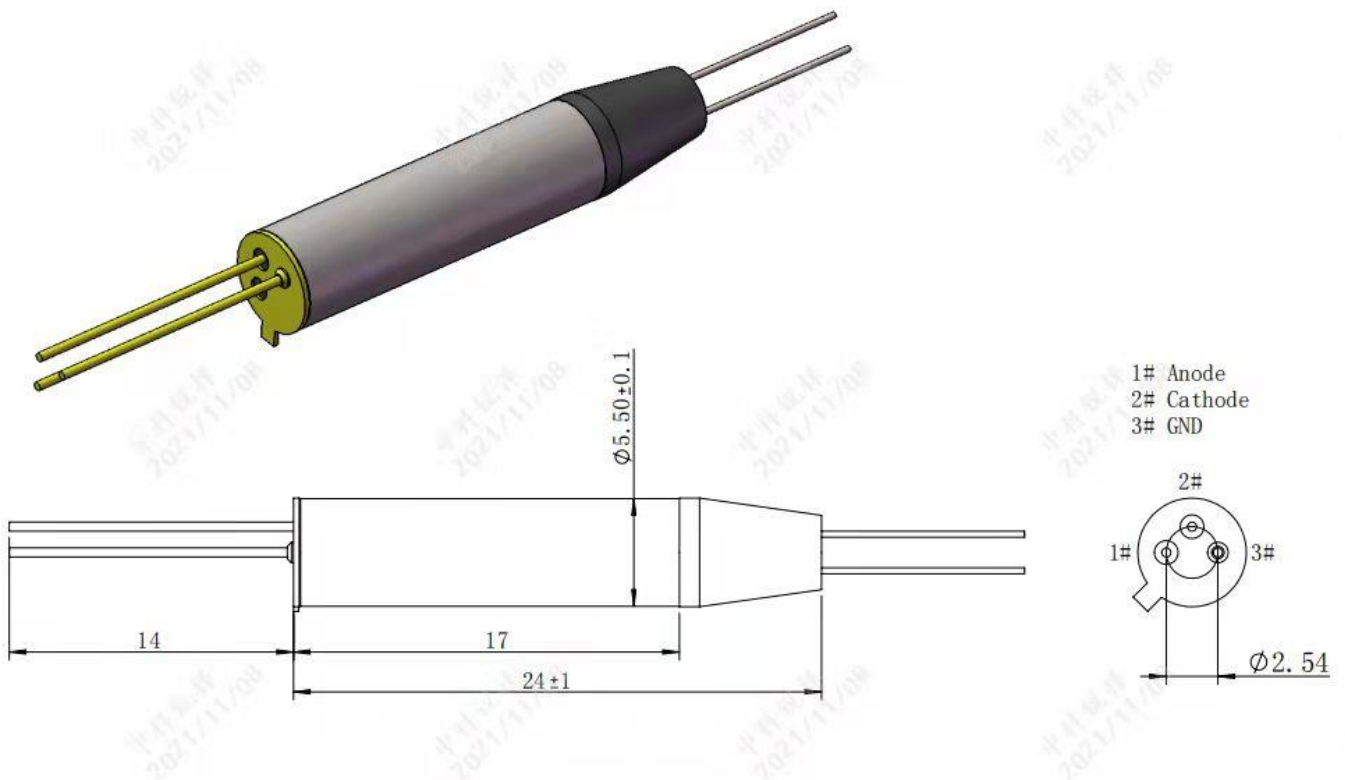
OPTIC AND ELECTRIC SPECIFICATION

Parameters	Unit	Specification
Operation Wavelength	nm	1528~1565
Test Wavelength	nm	1550
Attenuation Type		Bright or Dark
Attenuation Range	dB	>40
Insertion Loss	dB	≤0.7
WDL	≤15dB	≤0.5
	15-20dB	≤0.8
TDL	≤15dB	≤1.0
	15-20dB	≤1.5
PDL	@15dB	≤0.2
Return Loss	dB	≥45
Repeatability	dB	≤0.1
Response Time	ms	< 5
Driving Voltage	V	≤5
Max Optical Power	mW	≤500
Operating Temperature	°C	-5~70
Storage Temperature	°C	-40~85
Dimension	mm	φ5.5×24

OPERATING AND STORAGE CONDITIONS

NO	PARAMETER	SPECIFICATION	UNITS	NOTE
3.1	Operation Temperature	-5~70	°C	
3.2	Storage Temperature	-40~85	°C	
3.3	Operation Humidity	5~85	%RH	
3.4	Storage Humidity	5~85	%RH	

MECHANICAL DRAWINGS



FIBER AND CONNECTOR

PARAMETER	SPECIFICATION	UNITS	NOTE
Fiber Type	250um SMF-28e Fiber ,		
Fiber Length(customer specify)	1.00±0.05 (Customer specify)	m	
Ports Color	(Input): Red (Output): Clear		
Optical Connector	None (customer specify)		

ORDERING INFORMATION

MSOSW-①-②-③-④-⑤-⑥-⑦						
① 产品类型 Product Type	② 波长范围 Wavelength Range	③ 衰减范围 Attenuation Range	④ 光纤规格 Fiber Dia	⑤ 光纤长度 Fiber length	⑥ 连接器 Connector	⑦ 电压 Voltage
B: Bright D: Dark	O: 1290-1330nm C: 1528-1565nm L: 1570-1625nm Or customer Specify	20: 20dB 30: 30dB 40: 40dB Or customer Specify	025: 0.25mm 09: 0.9mm	1: 1m Or customer Specify	00: no connectors Or customer Specify	5: 5V Or customer Specify

Note: The MEMS VOA are ESD-Sensitive devices. Please insure that proper ESD handing procedures are followed.