

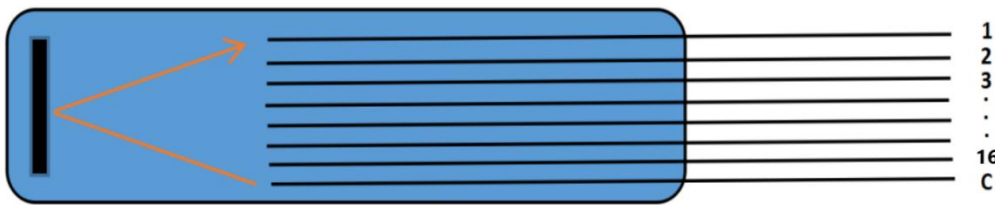
# MEMS OSW Specification

MSOSW-1XX-155-025-1.0-N-S-00

MEMS OSW is based on micro-electro-mechanical system (MEMS) technology, which achieved low insertion loss and highly repeatability by rotating the mirror of MEMS chip, is mainly used in optical cross and connection (OXC) system, measure instrument system and optical signal monitoring system.

The products are Telcordia GR-1073-CORE qualified, and RoHS compliant.

## PRODUCT CONFIGURATIONS



Note: "C": common port, "1、2、3...16":possible selected output ports=1~16;

## OPTIC SPECIFICATION

Parameters	Unit	Value	Notes
Wavelength	nm	1525~1565	or customer specify
Test Wavelength	nm	1550	
Insertion Loss	1*2	dB	@CWL,23°C, Without Connectors
	1*4		
	1*6		
	1*8		
	1*12		
	1*16		
Return Loss	dB	≥45	
Repeatability	dB	≤0.1	
Crosstalk	dB	≥45	
Polarization Dependence Loss	dB	≤0.2	
Wavelength Dependence Loss	dB	≤0.3	@CWL±20nm, 23°C
Temperature Dependence Loss	dB	≤0.4	
Operation Temperature	°C	-5~70	
Storage Temperature	°C	-40~85	
Switch Time	ms	≤20	

Durability	cycle	$\geq 1 \times 10^9$	
Maximum optical Power	mW	$\leq 500$	
Switch Mode		Non-latching	
Control Voltage	V	$\leq 60$	

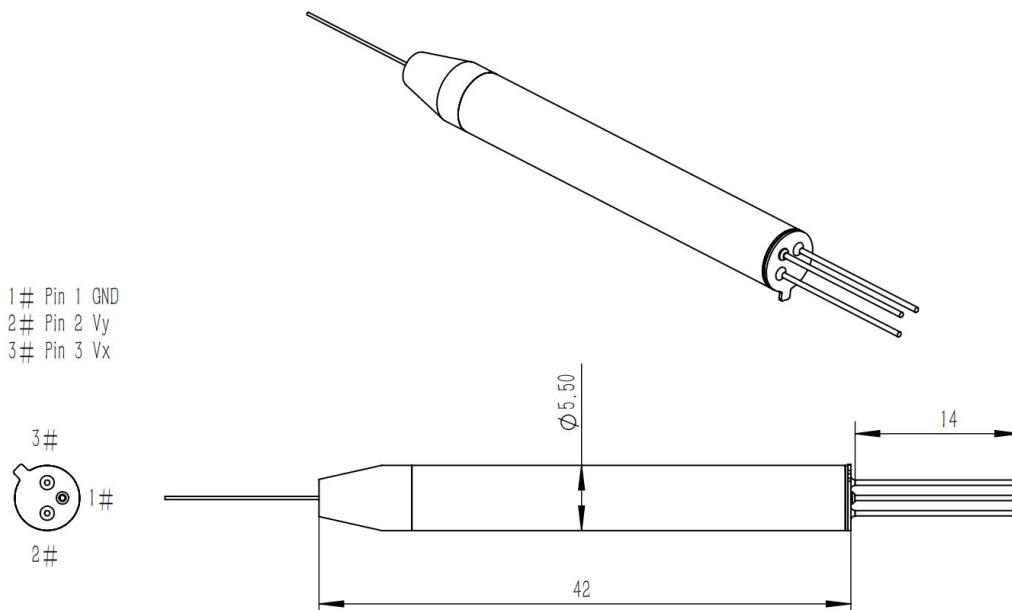
## OPERATING AND STORAGE CONDITIONS

PARAMETER	SPECIFICATION	UNITS	NOTE
Operation Temperature	-5~70	°C	
Storage Temperature	-40~85	°C	
Operation Humidity	5~95	%RH	
Storage Humidity	5~95	%RH	

## PIGTAIL AND CONNECTOR

PARAMETER	SPECIFICATION	UNITS	NOTE
Fiber Type	G657A2 250um bare fiber		
Fiber Pigtail(All Ports)	250um		
Fiber Length(All Ports) (customer specify)	1.00±0.05 (customer specify)	m	with connector length
Optical Connector (All port)	None (customer specify)		
Dimension	$\phi 5.5 \times 42$ (max)	mm	

## MECHANICAL DRAWINGS



## ELECTRONIC PINS DEFINITION

Pin NO.	Property	Note
1	GND	
2	Anode(+) <sub>1</sub>	V <sub>y</sub>
3	Anode(+) <sub>2</sub>	V <sub>x</sub>

## ORDERING INFORMATION

MSOSW-①-②-③-④-⑤-⑥-⑦							
① 通道数 Channel	② 波长范围 Wavelength Range	③ 光纤规格 Fiber Dia.	④ 光纤长度 Fiber length	⑤ 开关方式 Switch Mode	⑥ 产品类型 Product type	⑦ 连接器 Connector	⑧ 封装类型 Package type
<b>14:</b> 1*4 <b>16:</b> 1*6 <b>18:</b> 1*8 <b>116:</b> 1*16 N:Other	<b>131:</b> 1260-1330nm <b>155:</b> 1525-1568nm Or Customer Specify	<b>025:</b> 0.25mm <b>09:</b> 0.9mm (For Modules)	<b>1:</b> 1m Or customer Specify	<b>N:</b> Non-latching	<b>S:</b> singel mode <b>M:</b> multimode	<b>00:</b> no connectors Or customer Specify	<b>C:</b> Cylindric Device <b>CP:</b> Cylindric Packagewith PCB <b>M:</b> TTL/RS232/I <sup>2</sup> C Module Interface

**Note:** The MEMS OSW are ESD-Sensitive devices. Please insure that proper ESD handing procedures are followed.

**Note:** The MEMS OSW are ESD-Sensitive devices. Please insure that proper ESD handing procedures are followed.