

Fiber Coupled Acousto-Optic Modulator 1550nm 200MHz

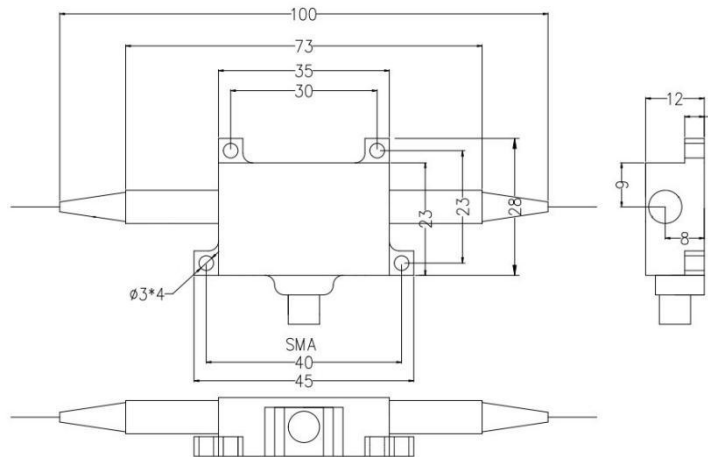
Part No.: AOM-1550-200M-05-A-G3-PM1550-1-1-1-FA

◆ Specification

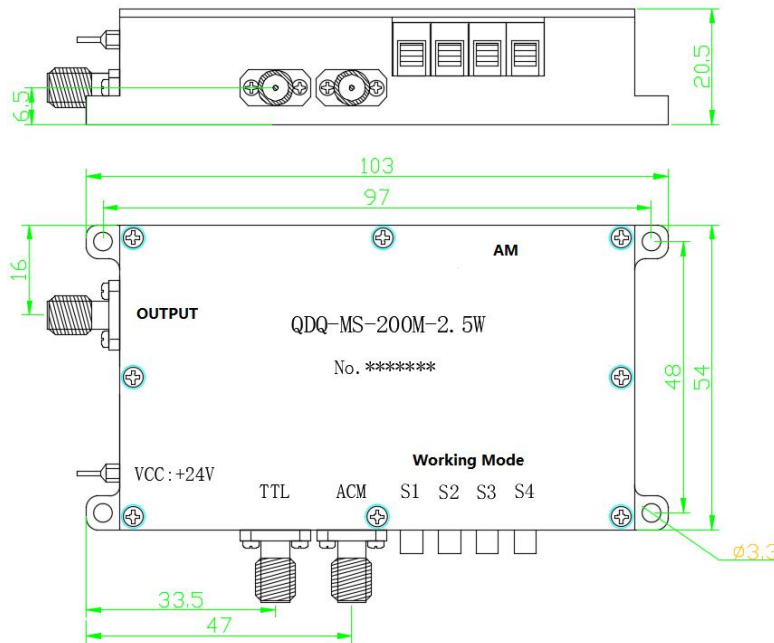
| Parameter | Unit | Min. | Max. | Typical |
|------------------------------------|--------------------|------|-------|-------------------|
| Interaction Material | | - | - | Tellurium dioxide |
| Signal Wavelength (λ_c) | nm | 1520 | 1580 | 1550 |
| Operating Wavelength Range | nm | - | - | ± 30 |
| Frequency | MHz | - | - | 200 |
| Ultrasonic Velocity | m/s | - | - | 4200 |
| Insertion Loss | dB | - | 6.0 | 5.0 |
| Extinction Ratio (Turn On / Off) | dB | 60 | - | - |
| Polarization Extinction Ratio | dB | 18 | - | - |
| Rise-Time/Fall-Time | ns | - | - | 10 |
| Return Loss | dB | 40 | - | - |
| Voltage Standing Wave Ratio (VSWR) | / | - | 1.2:1 | - |
| Average Optical Power | W | - | 0.5 | - |
| Peak Optical Power (Pulse) | kW | - | 1 | - |
| Input impedance | Ω | - | - | 50 |
| RF Power | W | - | - | 2.0 |
| Device Interface | | - | - | SMA |
| Fiber Type | / | - | - | PM1550 |
| Fiber Length | m | - | - | 1 |
| Fiber Connector | / | - | - | FC/APC |
| Operating Temperature | $^{\circ}\text{C}$ | - | - | -20 ~ +60 |
| Storage Temperature | $^{\circ}\text{C}$ | - | - | -30 ~ +70 |

*IL is 0.2-0.3dB higher, RL is 5 dB lower, and ER is 2 dB lower for each connector added. Connector key is aligned to slow axis.

◆ AOM Package Dimensions



◆ RF Driver Package Dimensions



◆ Ordering Information

AOM-①-②-③-④-⑤-⑥-⑦-⑧-⑨-⑩

| 1-Signal Wavelength | 2-Frequency | 3-Optical Power | 4-Function | 5-Package Dimension |
|---------------------|------------------|----------------------|--------------------------------|---------------------|
| 1064 - 1064nm | 200M - 200MHz | 05 - 500mW | S - Frequency Shifting (Up) | C1 - 60*25*12(mm) |
| 1550 - 1550nm | 100M - 100 MHz | 10 - 1W | A - Amplitude Modulation | G3 - 35*28*12(mm) |
| 1310 - 1310nm | 80M - 80MHz | 30 - 3 W | SD - Frequency Shifting (Down) | G6 - 67*23*15(mm) |
| 6-Fiber Type | 7-Pigtail Length | 8-Fiber Jacket | 9-Jacket Length | 10-Connector |
| PM980 - PM980 | 1 - 1M | 0 - Bare Fiber | 0 - No Jacket | FA - FC/APC |
| PM1550 - PM1550 | 1.5 - 1.5M | 1-900 μ m Loose Tube | 1 - 1M | FU - FC/UPC |
| SMF28e - SMF28e | S - Specify | | S - Specify | N - NO Connector |